



COMBI

IP40 SURFACE DISTRIBUTION BOXES

Description: IP40 SURFACE BOX 1x4 MOD. TRANSPARENT WINDOW. N&E BARS

Reference:
BV4PT/RR

Characteristics:

| | |
|--|--|
| Product type: | Surface distribution boxes with neutral and earth bars |
| Exterior dimensions (Height x Width x Depth): | 228x120x99 mm |
| Dimensions of the flush-fit gap (HxWxD): | - |
| Number of modules: | 1x4 DIN rail |
| Installation: | Surface |
| Color: | RAL 9003 |
| Window: | Transparent |
| Weight (kg): | 0,5 |
| Cable entry: | Top: 3xM25/32. Bottom: 3xM25/32. Left: 1xM25/32. Right: 1xM25/32 |
| Components: | Cable section N&E: 2x(4-10mm ²)+4x(2,5-6 mm ²) |
| Materials: | Halogen-free plastic materials. Polystyrene |
| Lid-window-door material: | Tinted PC |

Technical data:

| | |
|-----------------------------------|-----------------------|
| Degree of protection: | IP40 |
| Resistance to impact: | IK08 |
| Glow wire resistance: | 650 °C |
| Ball pressure test: | 70 °C |
| Ambient temperature range: | -25 °C / +40 °C |
| Maximum operating voltage: | 1000 V AC / 1500 V DC |
| Rated current: | 63A |
| Double insulation: | Class II |

Certificates and standards:

| | |
|----------------------|------------------------|
| Directive: | 2014/35/EU |
| Standards: | IEC 62208, IEC 61439-1 |
| Certificates: | |



Codes:

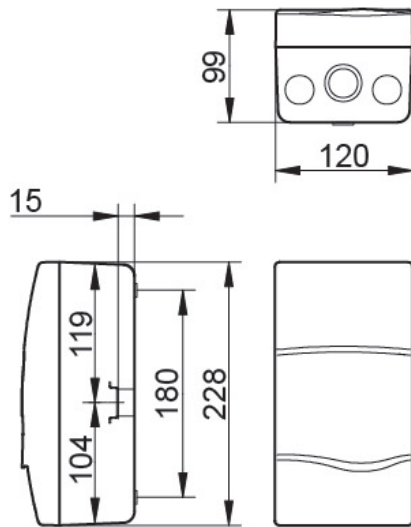
| | |
|-------------------------------|---------------|
| EAN: | 8431044243528 |
| Customs tariff number: | 85.38.10.00 |
| ETIM 8.0: | EC000214 |

COMBI

IP40 SURFACE DISTRIBUTION BOXES

Description: IP40 SURFACE BOX 1x4 MOD. TRANSPARENT WINDOW. N&E BARS

Reference: BV4PT/RR



Exterior dimensions (Height x Width x Depth):

228x120x99 mm

Dimensions of the flush-fit gap (Height x Width x Depth):

-

Sustainability:

RoHS - REACH

Supply:

Supplied in individual cardboard packaging. When several items are sent together, they are bundled together with transparent film.

Packaging units: 12

Product end of life:

It does not require specific recycling operations.

Recommended applications:

Tertiary and residential sectors. For use indoors, designed for surface installation. Flats, houses, offices, hotels, etc.